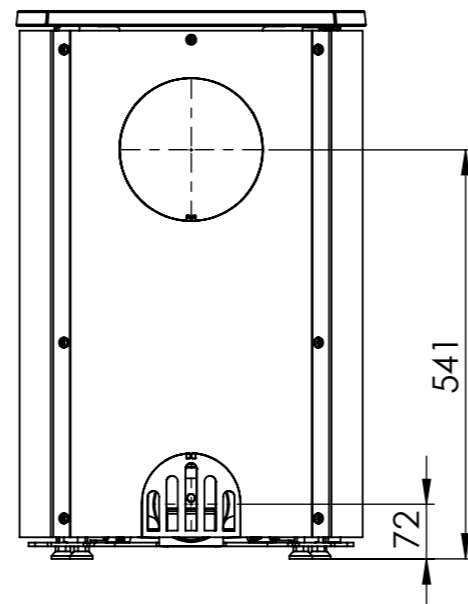
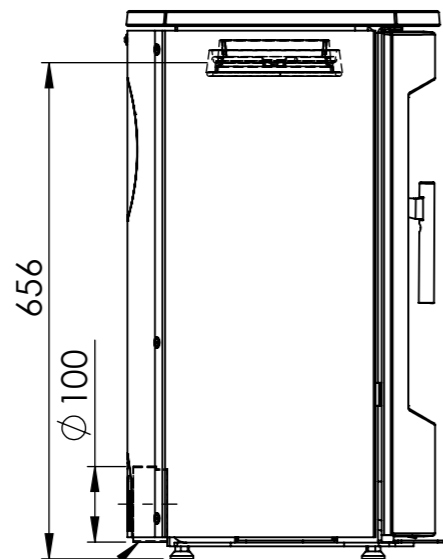
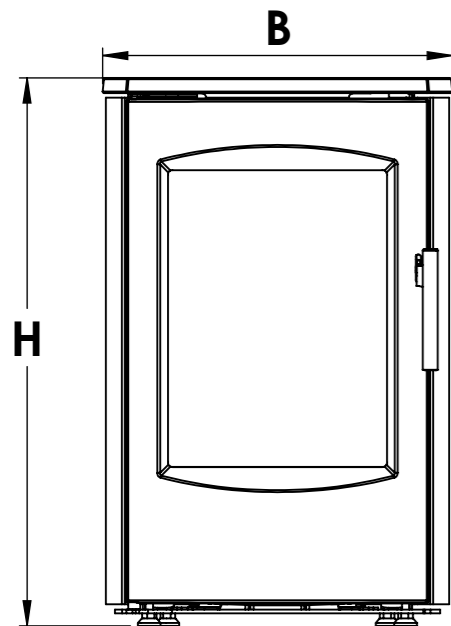
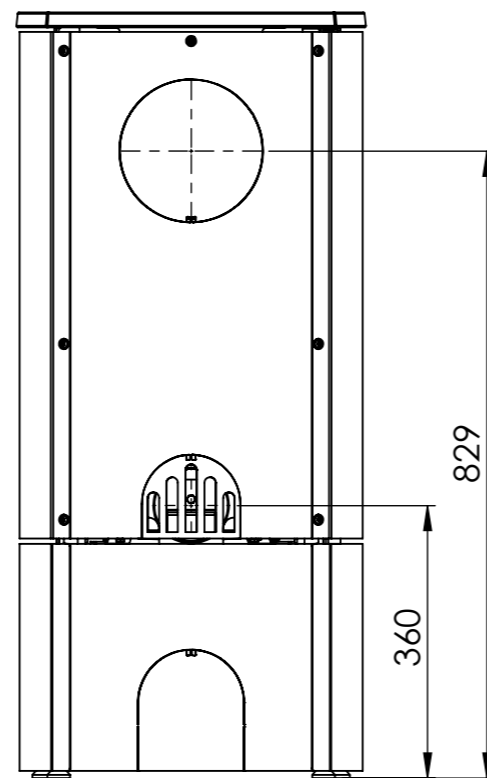
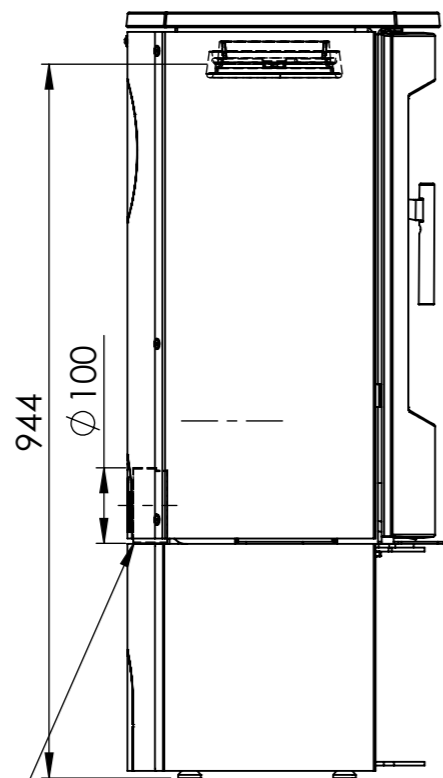
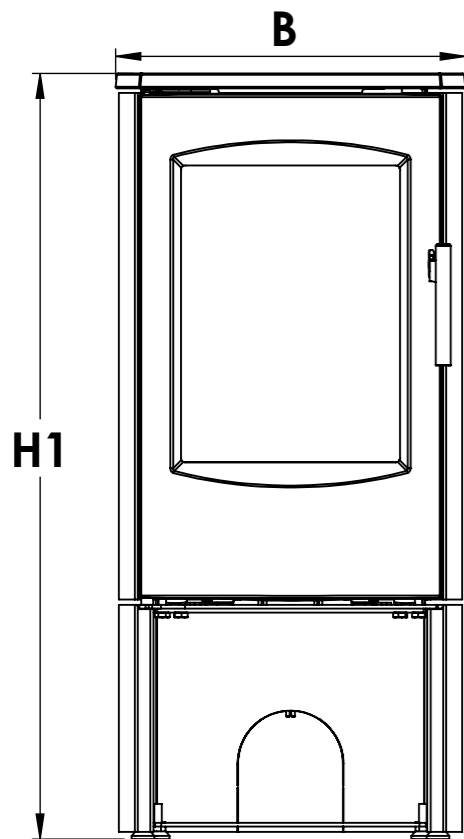




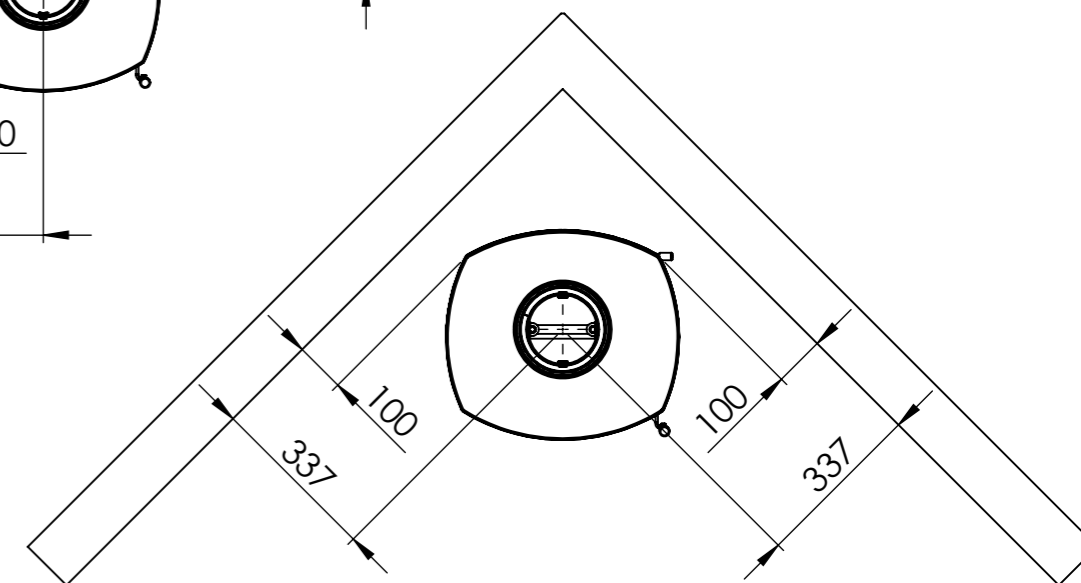
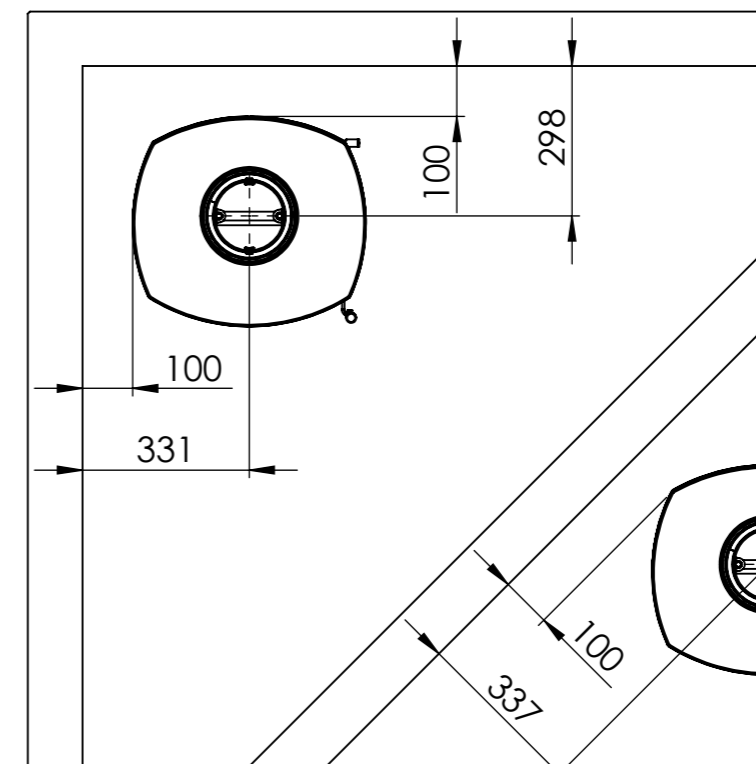
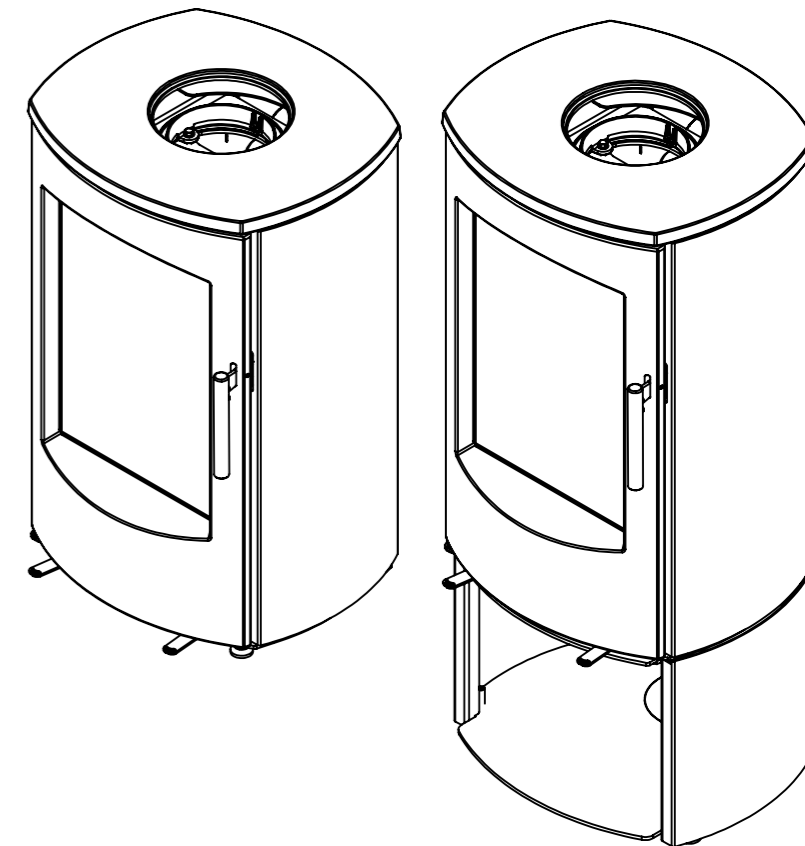
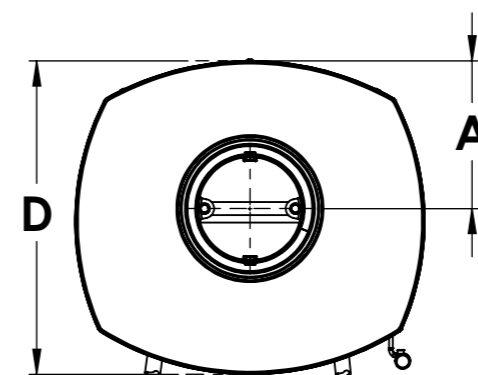
Serie	Scan-Line 7
Description	Scan-Line 7L



External fresh air  
From behind



External fresh air  
From behind



Scan-Line 7L	A	B	D	H/H1
Steel	195	462	415	725/1013
Stone top	196	470	416	754/1042